

- when it has to be right



DD Technical Specification



DD Locator DD220 SMART, DD230 SMART

The DD220 SMART and DD230 SMART locators incorporate the latest detection and communication technology, and feature innovative designs such as new digital antennas, a large colour display, onboard video user guides, internet calibration verification and li-Ion batteries.

Bluetooth® technology provides a wire-free connection to field controllers, mobile devices and software, - including Windows, Android and iOS - for data retrieval from the DD SMART locators internal memory. Access via USB provides a convenient connection to a PC for data downloads, locator configuration or Calibration Verification.

DD220 SMART;



- SMART Technology; GPS, Bluetooth®, 8GB internal memory
- Power, Radio, Auto modes
- Transmitter modes, 131kHz, 33kHz, 8kHz or Auto (automatic detection of the transmitter signal)
- Depth detection up to 7 meters (23 feet)
- Good-to-Go™ Health Check and Start up test
- On-board video user guides
- IP66 rating - protection from dust and water
- Web Calibration Verification
- 3 year Warranty

DD230 SMART;

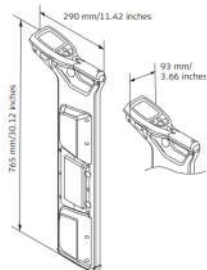
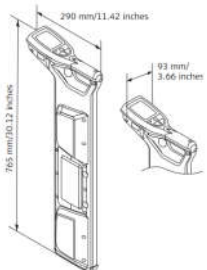


Additional to DD220 SMART:

- Extended trace range with additional 512Hz, 640Hz frequencies
- Signal current measurement
- Increased depth detection up to 10 metres (33 feet)

EAN No.	Article No.	Description	Replaces	Description
7640110697115	850268	Leica DD220 SMART Locator	795939 795940 795941 795944 821246 821247 821248 821251	Digicat 600i (50Hz) Digicat 600i (60Hz) Digicat 650i (50Hz) Digicat 650i (60Hz) Digicat 700i (50Hz) Digicat 700i (60Hz) Digicat 750i (50Hz) Digicat750i (60Hz)
7640110697139	850270	Leica DD230 SMART Locator	798644 798645 798646 798647 821252 821253	Digicat 600ixf (50Hz) Digicat 600ixf (60Hz) Digicat 650ixf (50Hz) Digicat 650ixf (60Hz) Digicat 750ixf (50Hz) Digicat 750ixf (60Hz)

DD220 SMART, DD230 SMART Technical Data;

Mode	DD 220 SMART	DD230 SMART
Power	50Hz / 60 Hz mains electrical and harmonics	50Hz / 60 Hz mains electrical and harmonics
Radio	15kHz to 60kHz	15kHz to 60kHz
Auto	Power, Radio, 33kHz	Power, Radio, 33kHz
Transmitter Modes	Auto Tx 131.072 (131) kHz 32.768 (33) kHz 8.192 (8) kHz	Auto Tx 131.072 (131) kHz 32.768 (33) kHz 8.192 (8) kHz 512 Hz 640 Hz
Depth Range*	Line 0.1m to 5m / 4 inches to 16.4 ft Sonde 0.1m to 7m / 4 inches to 23 feet	Line 0.1m to 7m / 4 inches to 23 feet Sonde 0.1 to 10m / 4 inches to 32.8 inches
Depth Accuracy	5%	5%
Bluetooth	Class 2 BLE dual mode module <ul style="list-style-type: none"> • Bluetooth® Classic 2.1 • Bluetooth® 4.0 (LE) 	Class 2 BLE dual mode module <ul style="list-style-type: none"> • Bluetooth® Classic 2.1 • Bluetooth® 4.0 (LE)
GPS**	Chipset (1): u-blox®GPS <ul style="list-style-type: none"> • Receiver Type: GPS L1C/A, SBAS L1C/A, QZSS L1C/A, GLONASS L1OF, BeiDou B1 • Accuracy (2): Horizontal Position 2.5 m Autonomous, 2.0 m SBAS, CEP • Start time: Cold 45 s typical, Aided 7 s typical, Hot 1 s typical 	Chipset (1): u-blox®GPS <ul style="list-style-type: none"> • Receiver Type: GPS L1C/A, SBAS L1C/A, QZSS L1C/A, GLONASS L1OF, BeiDou B1 • Accuracy (2): Horizontal Position 2.5 m Autonomous, 2.0 m SBAS, CEP • Start time: Cold 45 s typical, Aided 7 s typical, Hot 1 s typical
Memory Capacity	8 GB internal memory	8 GB internal memory
Protection	IP66	IP66
Operating Temperature	-20 °C to +50 °C / -4 °F to +122°F	- 20 °C to +50 °C / -4 °F to +122°F
Storage temperature	-40°C to +70°C / -40°F to +158°F	-40°C to +70°C / -40°F to +158°F
Battery	7.4V Li – Ion	7.4V Li – Ion
Battery operating time ***	15 h	15 h
Dimensions (HxWxD)	765x290 x93mm/30.12 x11.42x3.66 inches 	765x290 x93mm/30.12 x11.42x3.66 inches 
Weight with batteries	2.7Kg 6 lbs	2.7Kg 6 lbs
Box Contents	Locator, Li Ion Battery, 12v Vehicle Charger, Manuals	Locator, Li Ion Battery, 12v Vehicle Charger, Manuals
Boxed Dimension (Length/Width/Height)	L 815 x W 400 x H 105mm	L 815 x W 400 x H 105mm
Boxed Weight	4.8kg 10.5 lbs	4.8kg 10.5 lbs

*Depth to an undistorted signal

** (1) All data/information according to manufacturer u-blox®GPS; Leica Geosystems does not assume any liability whatsoever for such information.

(2) Accuracy is dependent upon various factors including atmospheric conditions, multipath, obstructions, signal geometry and number of tracked satellites.

*** Constant use at 20°C/68°F

Detection Range

Mode	Detection Range @ 1 meter
Power	3mA
Radio	25 µA
Auto	Power, Radio, 33kHz
Transmitter Modes	
131.072 (131) kHz	5µA
32.768 (33) kHz	5uA
8.192 (8) kHz	100Ua
512 Hz (DD230 models)	500uA
640 Hz (DD 230 models)	500uA

DD120, DD130 Locators

The DD120 and DD130 locators align the Digicat 550i and Digicat 550ixf with the DD locator range and provide users with an easy to use product alerting them to the presence of buried utilities prior to excavation.

DD120 locator



- Automatic pinpointing
- Power, Radio, Auto modes
- Transmitter, 33kHz, 8kHz
- Depth detection up to 3 meters (10 feet)
- Good-to-Go™ Health Check and Start up test
- IP54 rating - protection from dust and water
- 1 year Warranty

DD130 locator





Additional to DD120

- Extended trace range with additional 512Hz, 640Hz frequencies
- Signal current measurement
- Increased depth detection up to 10 m (33 feet)

EAN No.	Article No.	Description	Replaces	Description
7640110698594	872938	Leica DD120 Locator (50Hz)	780225 780231	Digicat 500i (50 Hz) Digicat 550i (50Hz)
7640110698600	872939	Leica DD120 Locator (60Hz)	780226 780232	Digicat 500i (50Hz) Digicat 550i (60Hz)
7640110698617	872940	Leica DD130 Locator (50Hz)	798640 798642	Digicat 500ixf (50 Hz) Digicat 550ixf (50Hz)
7640110698624	872941	Leica DD130 Locator (60Hz)	798641 798643	Digicat 500ixf (60Hz) Digicat 550ixf (60Hz)

DD120, D130 locator Technical Data;

Mode	DD120	DD130
Power	50Hz model or 60Hz model	50Hz model or 60Hz model
Radio	15kHz to 60kHz	15kHz to 60kHz
Auto	Power, Radio	Power, Radio,
Transmitter Modes	32.768 (33) kHz 8.192 (8) kHz	32.768 (33) kHz 8.192 (8) kHz 512 Hz 640 Hz
Depth Range*	Line 0.3m to 3m / 1ft to 10ft	Line 0.3m to 3m / 1 ft to 10ft
	Sonde 0.3m to 3m / 1ft to 10ft	Sonde 0.3m to 9.99m / 1 ft to 32.77ft
Depth Accuracy	10%	10%
Protection	IP54	IP54
Operating Temperature	-20 °C to +50 °C / -4 °F to +122°F	-20 °C to +50 °C / -4 °F to +122°F
Storage temperature	-40°C to +70°C / -40°F to +158°F	-40°C to +70°C / -40°F to +158°F
Battery	6 X LR6 (AA) Alkaline	6 X LR6 (AA) Alkaline
Battery operating time ***	15 h	15 h
Dimensions (HxWxD)	760 x 250 x 85mm (30 x 10 x 3.4 inches) 	760 x 250 x 85mm (30 x 10 x 3.4 inches) 
Weight with batteries	2.7Kg 6 lbs	2.7Kg 6 lbs

*** Constant use at 20°C/68°F

Detection Range

Mode	Detection Range
Power	to 3 m / 10 ft
Radio	to 2 m / 7ft
Auto	to 3 m / 10 ft
Transmitter Modes	Dependent on transmitter and utility type

DA Signal transmitters

Signal transmitters are used to apply a distinct signal to utilities with the following intention:

- To improve the detection success.
- To trace the route of a utility.
- To make a depth or current measurement.



DA220 Signal Transmitter,

- 1 Watt or 3 Watt options.
- Compatible with; DD120 Locator DD220 SMART Locators.

Trace frequencies,

8kHz, 33kHz, 131kHz and combined (33 kHz +131 kHz)

- Rechargeable Li-Ion battery as standard
- IP67 rating
- 3 Year warranty



DA230 Signal Transmitter,

- 1 Watt or 3 Watt options
- Compatible with; DD130 Locator DD230 SMART Locators.


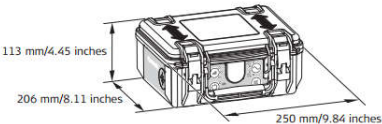
Trace frequencies,

512Hz, 640Hz, 8kHz, 33kHz, 131kHz and combined (33 kHz +131 kHz)

- Rechargeable Li-Ion battery as standard
- IP67 rating
- 3 Year warranty

EAN No.	Article No.	Description	Replaces	Description
7640110697153	850272	Leica DA220, 1 Watt Signal Transmitter	795946	Digitext 100t
7640110697160	850273	Leica DA220, 3 Watt Signal Transmitter	798651	Digitex 300t
7640110697177	850274	Leica DA230, 1 Watt Signal Transmitter	798648	Digitex 100txf
7640110697184	850275	Leica DA230, 3 Watt Signal Transmitter	798649	Digitex 300txf

DA Signal Transmitter Technical Data;

	DA 220	DA 230
Induction Mode Frequencies	32.768 (33) kHz 8.192 (8) kHz	32.768 (33) kHz 8.192 (8) kHz
Induction Mode Power Output	Up to 1 Watt max.	Up to 1 Watt max.
Direct Connection Mode Frequencies	131.072 (131) kHz 32.768 (33) kHz 8.192 (8) kHz	131.072 (131) kHz 32.768 (33) kHz 8.192 (8) kHz 512 Hz 640 Hz
Connection Mode Power Output*		
1 Watt Model	Up to 1 Watt max.	Up to 1 Watt max.
3 Watt Model	Up to 3 Watt max.	Up to 3 Watt max.
Protection	IP67	IP67
Operating Temperature	-20 °C to +50 °C / -4 °F to +122°F	- 20 °C to +50 °C / -4 °F to +122°F
Storage temperature	-40°C to +70°C / -40°F to +158°F	-40°C to +70°C / -40°F to +158°F
Battery	7.4V Li – Ion	7.4V Li – Ion
Battery operating time **	15 h	15 h
Dimensions	250 x 206 x 113 mm (9.84 x 8.11 x 4.45 inches) 	250 x 206 x 113 mm (9.84 x 8.11 x 4.45 inches) 
Box Contents	Locator, Li Ion Battery, 12v Vehicle Charger, Manuals	Locator, Li Ion Battery, 12v Vehicle Charger, Manuals
Weight with batteries	2.38Kg 5.25 lbs	2.38Kg 5.25 lbs
Boxed Dimension (Length/Width/Height)	L 255 x W 220 x H 210mm	L 255 x W 220 x H 210mm
Boxed Weight	3.58Kg 7.9 lbs	3.58Kg 7.9 lbs

* Utility impedance of 300 Ohms

**Defined at 20°C (77°F) power level 2

Accessories

Accessories are used with the locator and transmitter to localise the position of utilities, including some that are non-metallic.

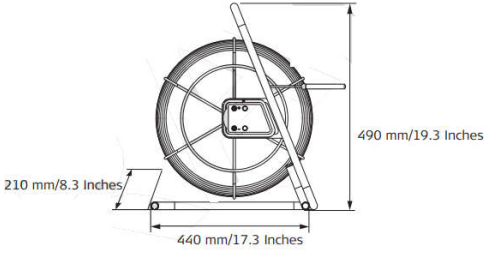
Trace rods



The Trace Rod is used in conjunction with the DA Signal Transmitter to trace the route of non metallic drains, ducts or pipes. The trace rod is connected to the DA Signal Transmitter and pushed along the utility under investigation, the DD Locator is used to trace the route of buried utility.

EAN No.	Article No.	Description	Replaces	Description
7640110697221	850278	Trace Rod 50	796702 796703	Digitrace 30 Digitrace 50
7640110697238	850279	Trace Rod 80	796704	Digitrace 80

Trace Rod Technical Data

Trace Rod 50, Trace Rod 80	
Typical detection range	Both modes, line and sonde: Typical 3.0 m/10 ft
Tracing distance	50 m/165 ft; 80 m/263 ft (maximum). Reel length dependant.
Operating transmission frequencies	Operating transmission frequencies
Dimensions	440 x 210 x 490 mm (17.3 x 8.3 x 19.3 inches)  Sonde diameter 8mm (0.35 inches), rod diameter 6mm (0.25 inches)
Weight	50 m: 4 kg/8.8 lbs 80 m: 4.7 kg/10.4 lbs

Note

Digitrace 30 is phased out with immediate effect.

Transmitter Clamps



The Transmitter clamp is used in conjunction with the DA Signal Transmitter to apply a trace signal to utilities such as telecom cables, power cables and pipes. The DD Locator is then used to trace the route of the buried utility.

EAN No.	Article No.	Description	Replaces	Description
7640110697245	850280	100mm (4") Transmitter clamp	731056	Sig Clamp 33kHz
7640110697252	850281	80mm (3.15") Transmitter clamp	813369	Multiclamp

Transmitter Clamp Technical Data

	100mm (4") Transmitter clamp	80mm (3.15") Transmitter clamp
Operating frequencies	33kHz	256Hz to 200kHz
Dimensions		
Weight	0.354 kg / 0.76 lbs	0.82kg / 1.8lbs
Protection	IP54	IP54

Property Plug Connector



The Property Plug Connector is used in conjunction with the DA Signal Transmitter to apply a trace signal to a residential electrical supply. The DD Locator is then used to trace the route of buried utility. Operating frequency 33kHz.

EAN No.	Article No.	Description	Replaces	Description
7640110697269	850282	Property Plug Connector - UK	731666	Prop Con Set - UK
7640110697276	850283	Property Plug connector - Eu	731668	Prop Con Set - Eu
7640110697283	850284	Property Plug connector - US	731667	Prop Con Set - US
7640110697290	850285	Property Plug connector - Ch	731669	Prop Con Set - CH
7640110697306	850286	Property Plug connector - Aus	731670	Prop Con Set - Aus

Property Plug Technical Data

Property Plug Connector	
Operating frequencies	33kHz
Dimensions	
Weight	0.15 kg / 0.3 lbs
Protection	IP54 (Domestic use)

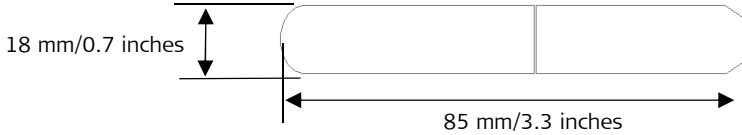
Mini Sonde



Mini Sonde is used to trace drains, sewers and other non-conductive utilities.

EAN No.	Article No.	Description	Replaces	Description
7640110697313	850288	Mini Sonde 33		New product line

Mini Sonde Technical Data

	Mini Sonde
Operating frequencies	33kHz
Typical Detection Range	10 meters (33ft).
Batteries	1 x 3.6v battery (LS14250)
Operating time	20 hrs continuous use at 20°C / 68°F
Dimensions	85mm/3.3inches x 18mm/0.7" diameter 
Thread connection	Flexible M12 female thread.
Protection	Fully submersible

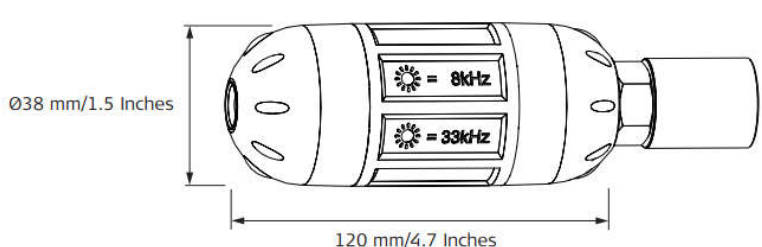
Midi Sonde 8/33



Midi Sonde is used to trace drains, sewers and other non-conductive utilities.

EAN No.	Article No.	Description	Replaces	Description
7640110697320	850289	Midi Sonde 8/33	731053	Digimouse

Midi Sonde Technical Data

	Mini Sonde
Operating frequencies	8kHz or 33kHz
Typical Detection Range	5 meters (16ft).
Batteries	1 x LR6 (AA) Alkaline battery
Operating time	40 hrs intermittent use at 20°C / 68°F; in 8 kHz mode or 33 kHz mode
Dimensions	120mm /4.7 inches x diameter 38 mm 1.5 inches 
Weight	0.18 kg / 0.4 lbs
Thread connection	M10 male thread with M10 female adapter or M10 female to 3/4 Drain Rod (Whitworth 7 TPI).
Protection	Fully submersible

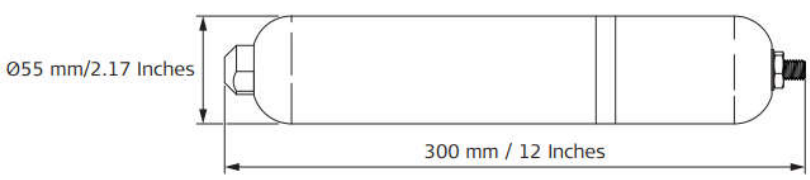
Maxi Sonde 8/33



Maxi Sonde is used to trace drains, sewers and other non-conductive utilities. Maxi sonde is 55mm (2.17") in diameter and has a M10 male thread and additional female adapter that can be attached to a range of equipment including drain rods, boring tools and inspection cameras. Powered by 3 x AA alkaline battery, with a working depth range of 12 meters (39.4ft). Operates at 8kHz or 33kHz

EAN No.	Article No.	Description	Replaces	Description
7640110697337	850290	Maxi Sonde 8/33	813368	Maxi Sonde

Maxi Sonde Technical Data

Maxi Sonde	
Operating frequencies	8kHz or 33kHz
Typical Detection Range	12 m/39 ft
Batteries	1 x LR6 (AA) Alkaline battery
Operating time	10 hours continuous use at 20°C/68°F
Dimensions	300 mm/12 inches, diameter 55 mm/2.17 inches 
Weight	0.83 kg / 1.18 lbs
Thread connection	M10 male thread with M10 female adapter or M10 female to 3/4 Drain Rod (Whitworth 7 TPI).
Protection	Fully submersible

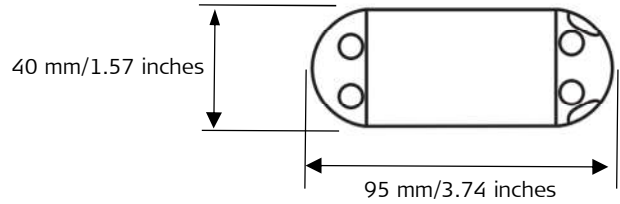
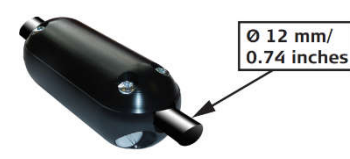
Clamp Sonde



Clamp Sonde is used to trace drains, sewers and other non-conductive utilities.

EAN No.	Article No.	Description	Replaces	Description
7640110697344	850291	Clamp Sonde		New product line

Clamp Sonde Technical Data

Clamp Sonde	
Operating frequencies	33kHz
Typical Detection Range	5 m/ 16 ft
Batteries	1x LR03 (AAA) Alkaline
Operating time	15 hours intermittent use at 20°C/68°F
Dimensions	<p>95 mm/3.74 inches, diameter 40 mm/1.57 inches.</p>  <p>Clamps on to 12mm/0.74 inch rod</p> 
Weight	0.135 kg/5 oz
Thread connection	Clamps on to 12mm/0.74 inch rod
Protection	Fully submersible

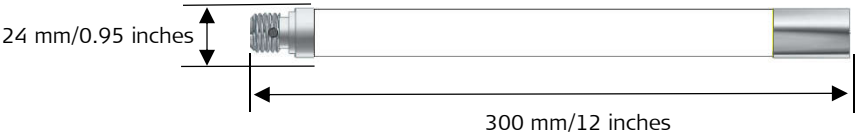
Duct Sonde 33



Duct Sonde is used to trace drains, sewers and other non-conductive utilities.

EAN No.	Article No.	Description	Replaces	Description
7640110697351	856131	Duct Sonde		New product line

Duct Sonde Technical Data

Duct Sonde	
Operating frequencies	33kHz
Typical Detection Range	5 m/ 16 ft
Batteries	1x LR03 (AAA) Alkaline
Operating time	15 hours intermittent use at 20°C/68°F
Dimensions	300 mm/12 inches, diameter 24 mm/0.95 inches 
Weight	0.370 kg/13 oz
Thread connection	3/4 Whitworth Standard male and female
Protection	Fully submersible

Carry Bags

System carry bag for locators, signal transmitters and accessories or an individual bag for the DD locator.

EAN No.	Article No.	Description	Replaces	Description
7640110697191	850276	Locator System Carry Bag		New product line
7640110697207	850277	Leica DD220, DD230 Locator Bag		New product line
7640110698631	872942	Leica DD120, DD130 Locator Bag		New product line

Batteries & Chargers

EAN No.	Article No.	Description	Replaces	Description
7640110697214	845900	Leica DD SMART, DA Li-Ion Battery		Battery for the SMART Locators and DA Transmitter.
7640110693780	790417	A100 - Li-ion Charger		Existing Rugby charger
7640110697429	797750	A140 - Car Adapter Cable		Existing Rugby charger

Battery and Charger Technical Data

	Li-Ion Battery	A100 - Li-ion Charger	A140 - Car Adapter Cable
Input Voltage	N/a	100 V AC-240 V AC, 50 Hz-60 Hz	12 V DC
Output voltage	7.4 V	12 V DC	12 V DC
Output Current	7.2 Ah (53.28Wh)	3.0 A	5.0 A
Charger Polarity	N/a	Shaft: negative, Tip: positive	Shaft: negative, Tip: positive

Packages

EAN No.	Article No.	Description	Package Description
7640110697375	6011593	Leica DD220 SMART, Depth package	<ul style="list-style-type: none"> • DD220 SMART utility locator • DA220 1 Watt Signal Transmitter • Transmitter extension cable • System carry bag Includes, Li-Ion battery packs, chargers and manuals
7640110697399	6011595	Leica DD230 SMART, Depth package	<ul style="list-style-type: none"> • DD230 SMART utility locator • DA230 1 Watt Signal Transmitter • Transmitter extension cable • System carry bag Includes, Li-Ion battery packs, chargers and manuals.
7640110698648	6014154	Leica DD120 (50Hz), Depth Package	<ul style="list-style-type: none"> • DD120 utility locator (50Hz) • DA220 1 Watt Signal Transmitter • Transmitter extension cable • System carry bag Includes alkaline batteries and manuals.
7640110698655	6014155	Leica DD120 (60Hz), Depth Package	<ul style="list-style-type: none"> • DD120 utility locator (60Hz) • DA220 1 Watt Signal Transmitter • Transmitter extension cable • System carry bag Includes alkaline batteries and manuals.
7640110698662	6014156	Leica DD130 (50Hz), Depth package	<ul style="list-style-type: none"> • DD130 utility locator (50Hz) • DA230 1 Watt Signal Transmitter • Transmitter extension cable • System carry bag Includes alkaline batteries and manuals.
7640110698679	6014157	Leica DD130 (60Hz), Depth package	<ul style="list-style-type: none"> • DD130 utility locator (60Hz) • DA230 1 Watt Signal Transmitter • Transmitter extension cable • System carry bag Includes alkaline batteries and manuals.
7640110698686	6014158	Leica DD120 (50Hz) Plumbers package	<ul style="list-style-type: none"> • DD120 utility locator (50Hz) • Midi Sonde • Locator bag Includes alkaline batteries and manuals.
7640110698693	6014159	Leica DD120 (60Hz) Plumbers package	<ul style="list-style-type: none"> • DD120 utility locator (60Hz) • Midi Sonde • Locator bag Includes alkaline batteries and manuals.
7640110698709	6014160	Leica DD220 SMART Plumbers package	<ul style="list-style-type: none"> • DD220 SMART utility locator • Midi Sonde • Locator bag Includes, Locator Li-Ion battery pack, charger and manuals.

Product List

EAN No.	Article No.	Description	Replaces	Description
7640110697115	850268	Leica DD220 SMART Locator	795939 795940 795941 795944 821246 821247 821248 821251	Digicat 600i (50Hz) Digicat 600i (60Hz) Digicat 650i (50Hz) Digicat 650i (60Hz) Digicat 700i (50Hz) Digicat 700i (60Hz) Digicat 750i (50Hz) Digicat750i (60Hz)
7640110697139	850270	Leica DD230 SMART Locator	798644 798645 798646 798647 821252 821253	Digicat 600ixf (50Hz) Digicat 600ixf (60Hz) Digicat 650ixf (50Hz) Digicat 650ixf (60Hz) Digicat 750ixf (50Hz) Digicat 750ixf (60Hz)
7640110698594	872938	Leica DD120 Locator (50Hz)	780225 780231	Digicat 500i (50 Hz) Digicat 550i (50Hz)
7640110698600	872939	Leica DD120 Locator (60Hz)	780226 780232	Digicat 500i (60Hz) Digicat 550i (60Hz)
7640110698617	872940	Leica DD130 Locator (50Hz)	798640 798642	Digicat 500ixf (50 Hz) Digicat 550ixf (50Hz)
7640110698624	872941	Leica DD130 Locator (60Hz)	798641 798643	Digicat 500ixf (60Hz) Digicat 550ixf (60Hz)
7640110697153	850272	Leica DA220, 1 Watt Signal Transmitter	795946	Digitext 100t
7640110697160	850273	Leica DA220, 3 Watt Signal Transmitter	798651	Digitex 300t
7640110697177	850274	Leica DA230, 1 Watt Signal Transmitter	798648	Digitex 100txf
7640110697184	850275	Leica DA230, 3 Watt Signal Transmitter	798649	Digitex 300txf
7640110697221	850278	Trace Rod 50	796702 796703	Digitrace 30 Digitrace 50
7640110697238	850279	Trace Rod 80	796704	Digitrace 80
7640110697245	850280	100mm (4") Transmitter clamp	731056	Sig Clamp 33kHz
7640110697252	850281	80mm (3.15") Transmitter clamp	813369	Multiclamp
7640110697269	850282	Property Plug connector - UK	731666	Prop Con Set - UK
7640110697276	850283	Property Plug connector - Eu	731668	Prop Con Set - Eu
7640110697283	850284	Property Plug connector - US	731667	Prop Con Set - US
7640110697290	850285	Property Plug connector - Ch	731669	Prop Con Set - CH
7640110697306	850286	Property Plug connector - Aus	731670	Prop Con Set - Aus
7640110697313	850288	Mini Sonde 33		New product line
7640110697320	850289	Midi Sonde 8/33	731053	Digimouse

7640110697337	850290	Maxi Sonde 8/33	813368	Maxi Sonde
7640110697344	850291	Clamp Sonde		New product line
7640110697351	856131	Duct Sonde		New product line
7640110697191	850276	Locator System Carry Bag		New product line
7640110697207	850277	Leica DD220, DD230 Locator Bag		New product line
7640110698631	872942	Leica DD120, DD130 Locator Bag		New product line
7640110697214	845900	Leica DD SMART, DA Li-Ion Battery		Battery for the SMART Locators and DA Transmitter.
7640110693780	790417	A100 - Li-ion Charger		Existing Rugby charger
7640110697429	797750	A140 - Car Adapter Cable		Existing Rugby charger
7640110697313	850287	Transmitter cable extension	796705	Transmitter connection cable extension